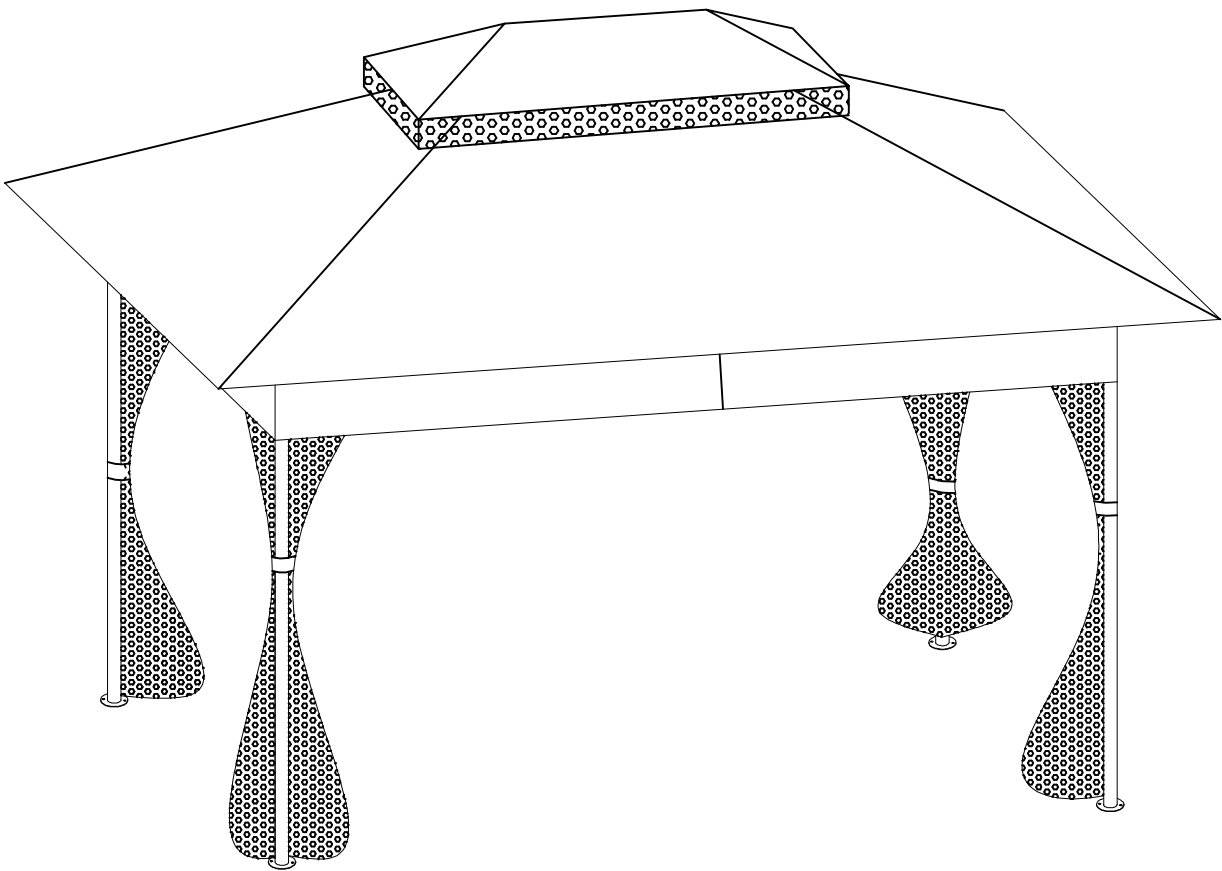


Assembly Instructions

Item Number: PT0148C2S



Thank you for your purchase!

We are pleased that you have chosen StarEcho for your outdoor gazebo purchase. We hope that you enjoy the unmatched quality, comfort, and style of your new patio item. Every piece is meticulously considered all the way down to the smallest details, exclusively for you, by our world class design team. We know you have a choice when it comes to your patio gazebo needs, so from our team to yours, thank you for letting us be a part of your outdoors.

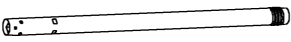
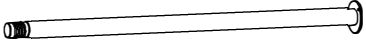






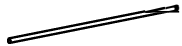
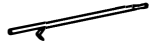


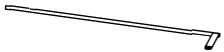
Made in China





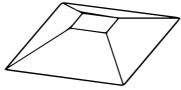

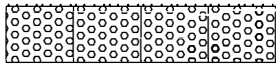


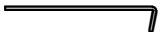

SAFE INFORMATIONS

WARNING:

- When assembling and using this product, basic safety precautions should always be followed to reduce the risk of personal injury and damage to equipment. Please read all instructions before assembly and usage.
- Some parts may contain sharp edges, wear protective gloves if necessary.
- This unit is heavy! Do not assemble this item alone. At least two or more people are recommended for safe assembly.
- Keep all children and pets away from assembly area.
- Begin assembly not less than 6 feet from any obstruction such as fence, garage, house, overhanging branches, laundry line or electrical wires.
- Install on level ground. This gazebo cannot be permanently staked or attached to concrete floor or platform. The provided stakes are for soft ground use only. If assembling on a hard surface like a deck or concrete, other forms of attachment must be used such as expansion bolts that can be purchased locally.
- This gazebo is intended for decorative and sunshade purposes only and is not meant to withstand inclement weather including high winds, rain and snow. Gazebo fabric is water resistant, not water proof and may leak during exposure to precipitation.
- Please lay out all parts before assembling, checking to make sure all parts are there. If any parts are missing, please email pioneerleisure@163.com and parts will be expedited to you.
- Do not leave the gazebo where there is a risk of high wind, as possible damage will occur to the structure. **Remove all excess snow from the roof.**
- Do not climb on top of the gazebo. Falling off the gazebo can result in serious injury.
- **KEEP ALL FLAME AND HEAT SOURCES AWAY FROM THIS GAZEBO FABRIC.** This Gazebo is made with fabric that meets CPAI-84 specifications for flame resistance. It is not fire proof. The fabric will burn if left in continuous contact with any flame source. The application of any foreign substance to the gazebo fabric may render the flame-resistant properties ineffective.

Parts List

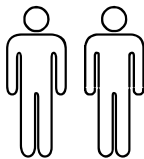
Parts Name	Item No.	Parts Images	Qty
Top Leg Post	A1		4
Lower Leg Post	A2		4
Short Side Beam 1	C1		2
Short Side Beam 2	C2		2
Long Side Beam	D1		4
Long Side Middle Beam	D3		2
Upper Slant Bar	G1		4
Lower Slant Bar	G2		4
Upper Top Bar	H1		4
Lower Top Bar	H2		4
Long Extension Tube	K5		4
Short Extension Tube	K4		4
Side Netting Rod	E1		4

Parts Name	Item No.	Parts Images	Qty
Middle Netting Rod	E2		2
Top Connector	J		2
Top Connect Bar	T1		1
Big Roof Connector	T2		1
Big Canopy	O1		1
Small Canopy	O2		1
Netting	P1		4
Bolt M6x15mm	AA		2
Bolt M6x18mm	BB		22
Stake	II		8
Ring	LL		36

Needed for assembly: (The following tools are not included)



Hammer

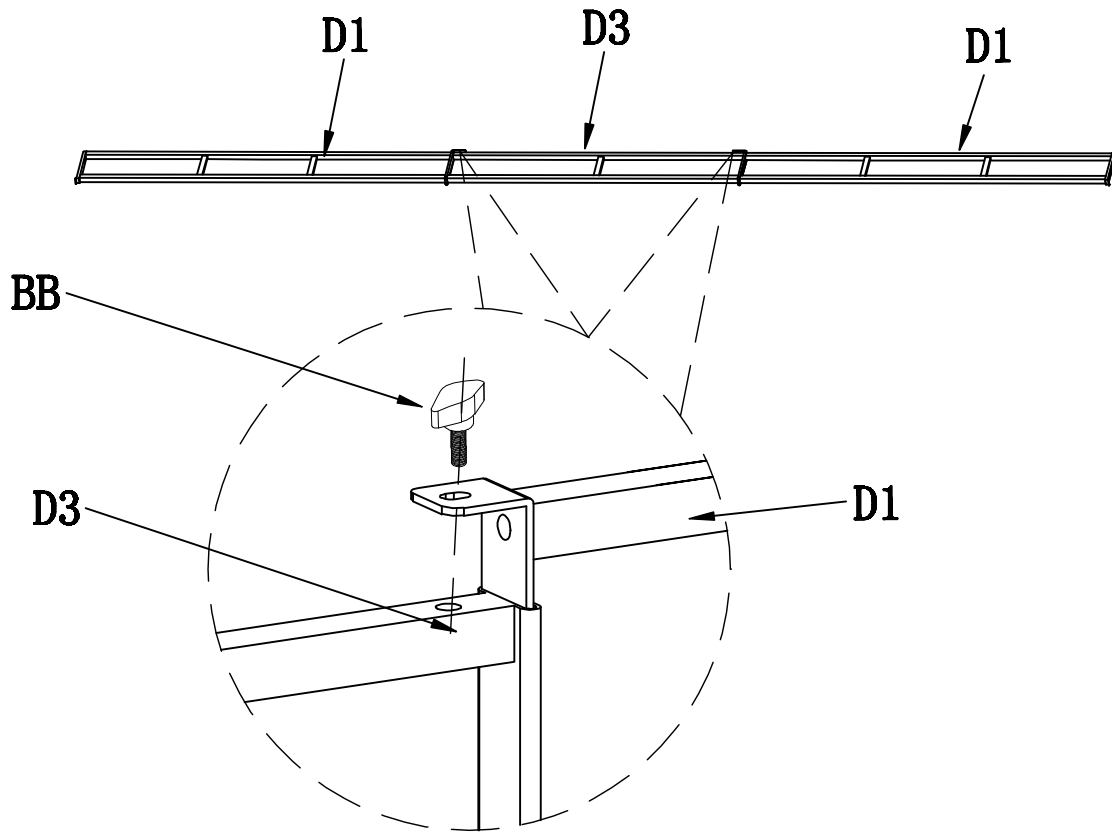


2 People



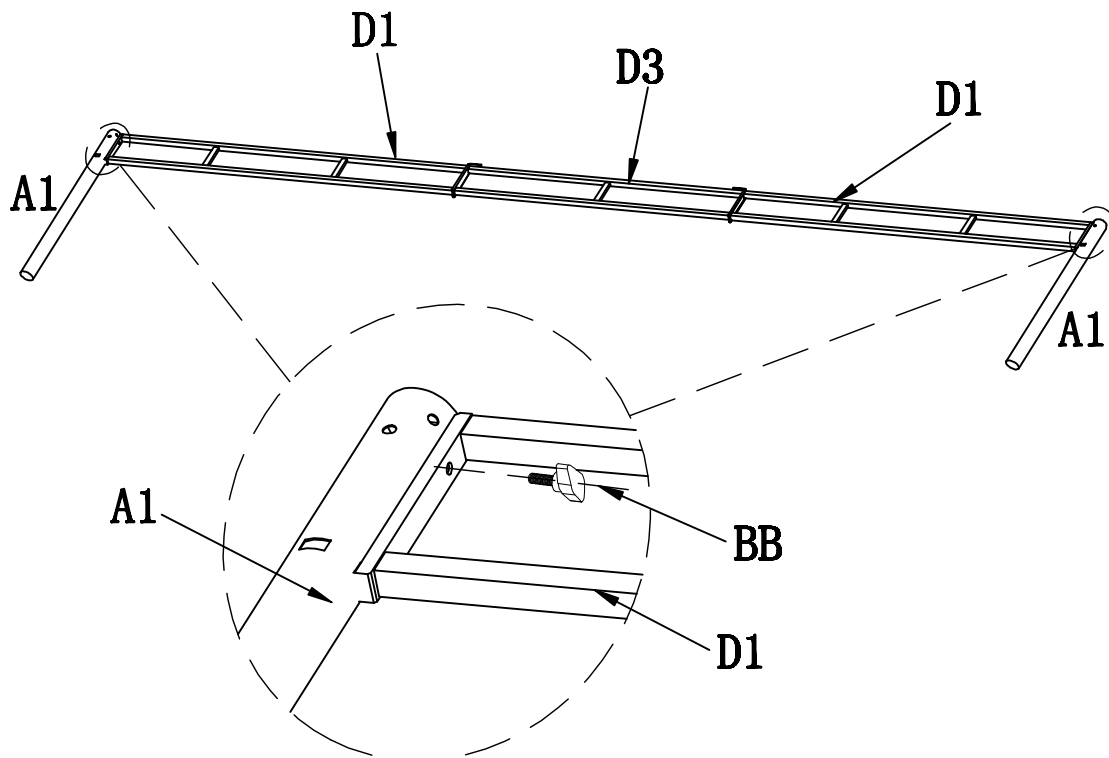
Ladder

①



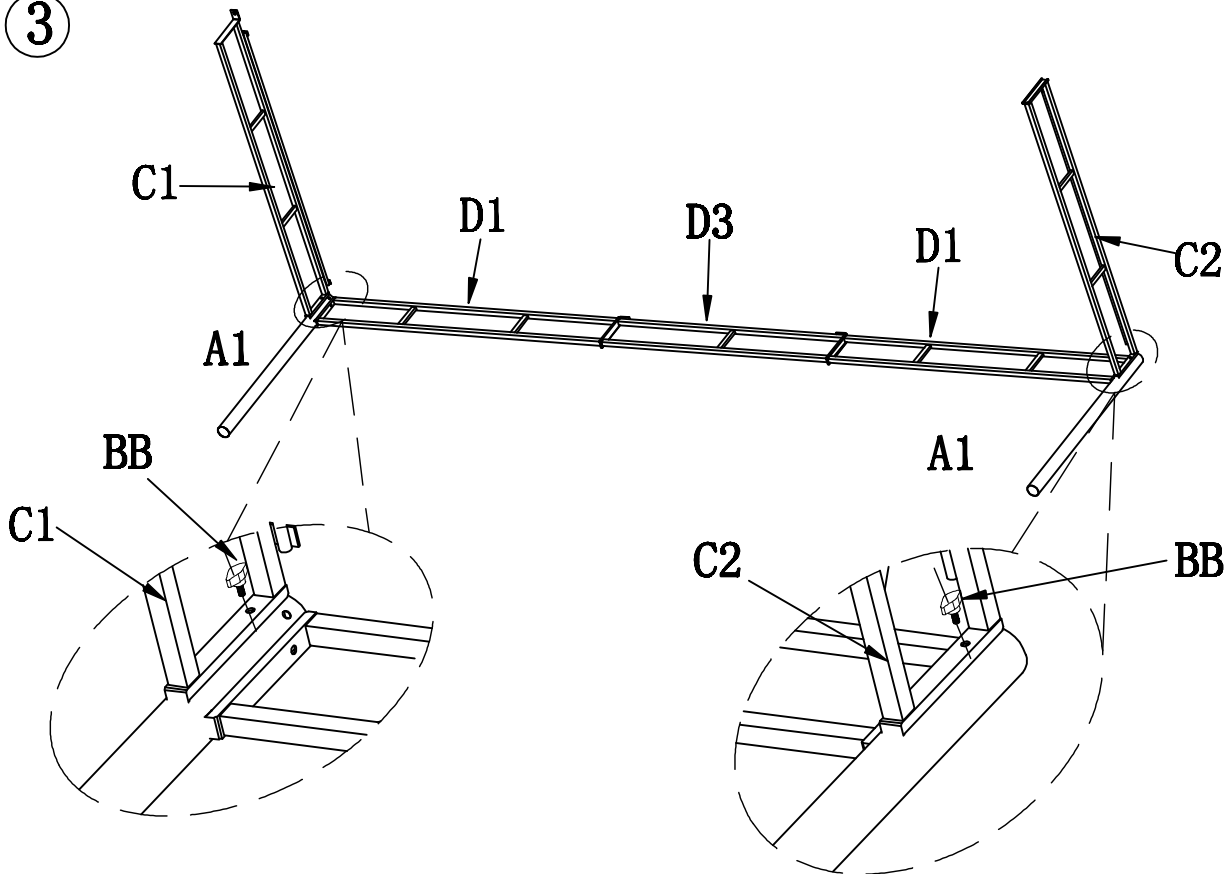
Step 1: Connect two Long Side Beams (D1) to Long Side Middle Beam (D3) by Bolt (BB).

②



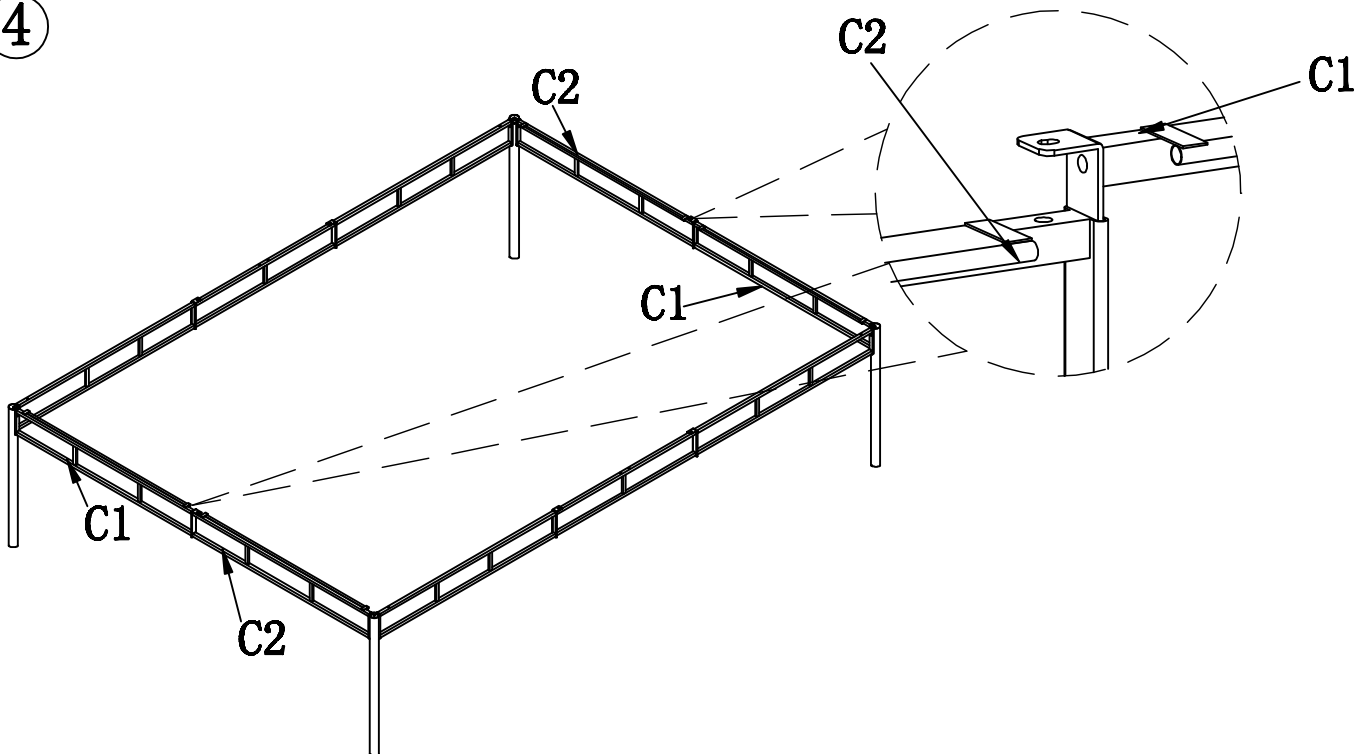
Step 2: Connect Upper Leg Post (A1) to assembled Long Side Beam (D1) by Bolt (BB).

3

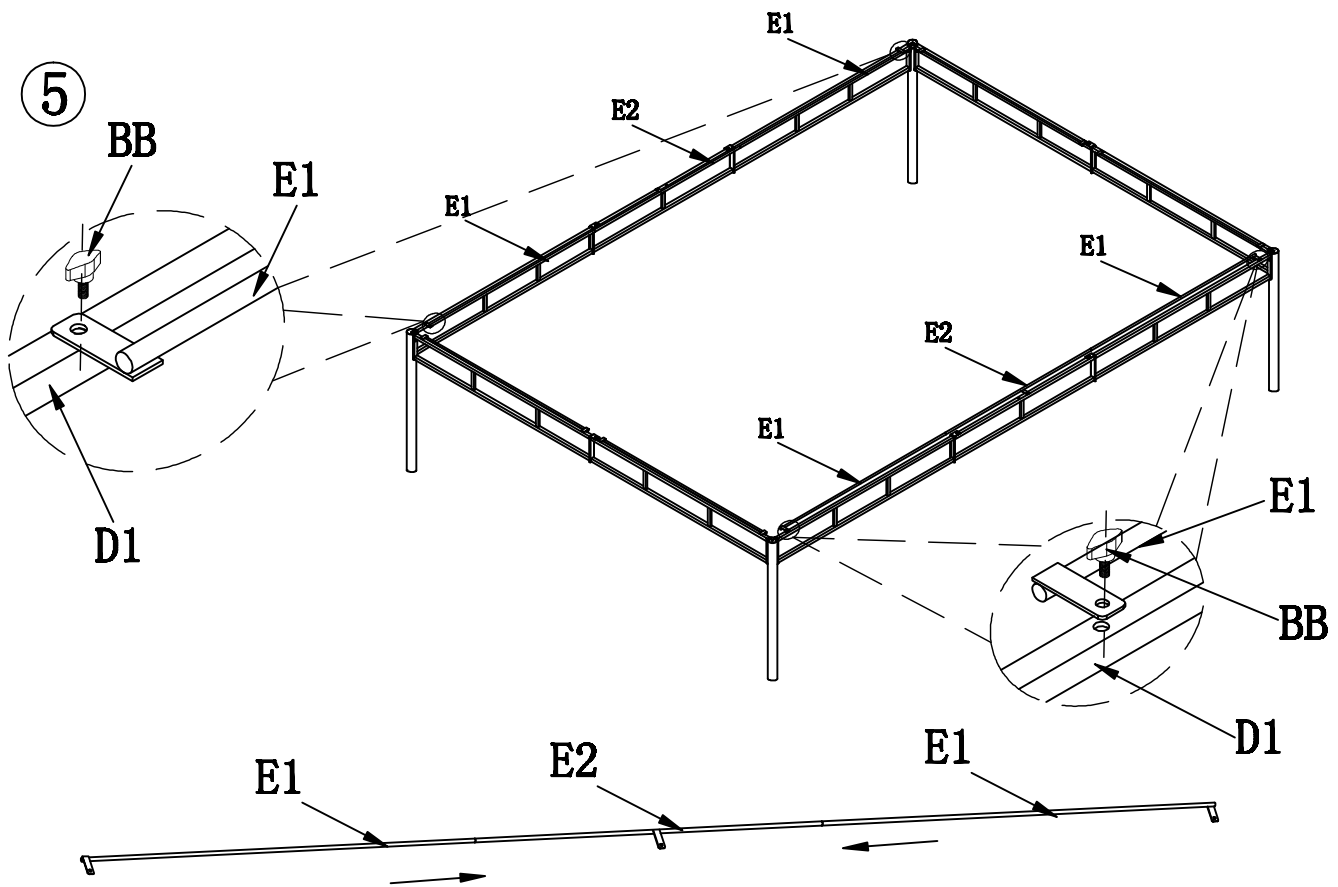


Step 3: Connect Short Side Beam 1/2 (C1/C2) to assembled Top Leg Post (A1) by Bolt (BB).

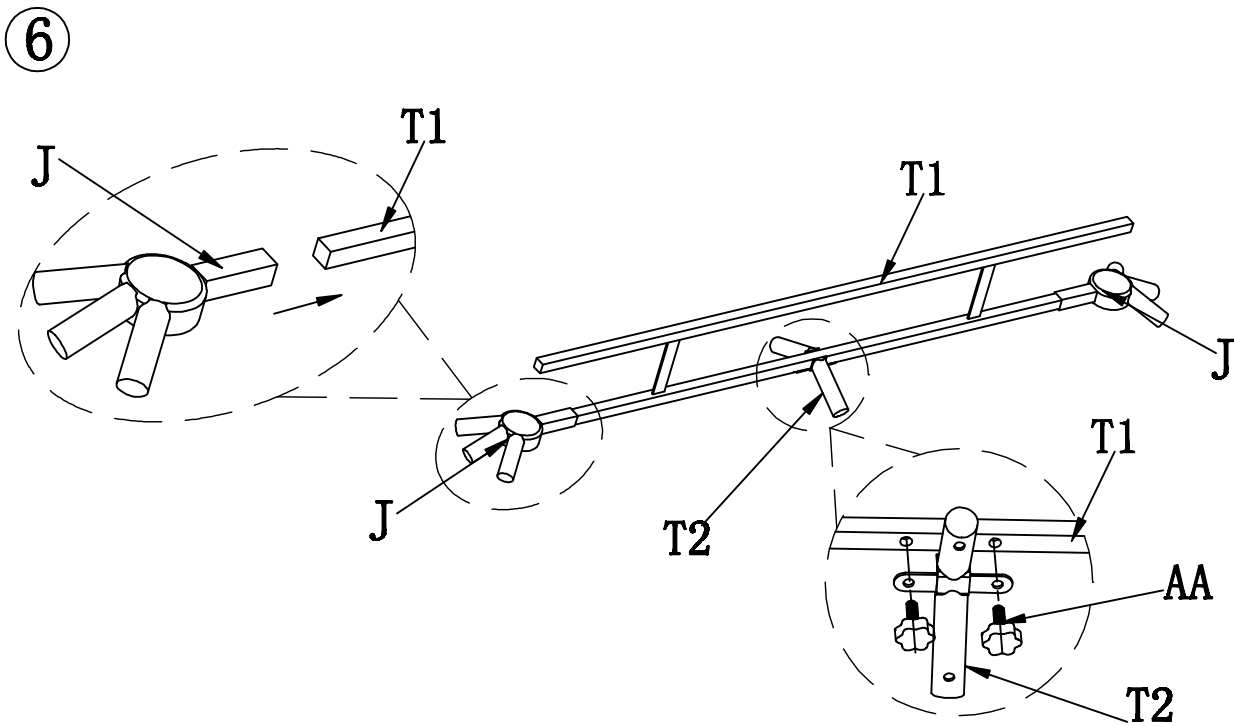
4



Step 4: Connect assembled Short Side Beam 1/2 (C1/C2).

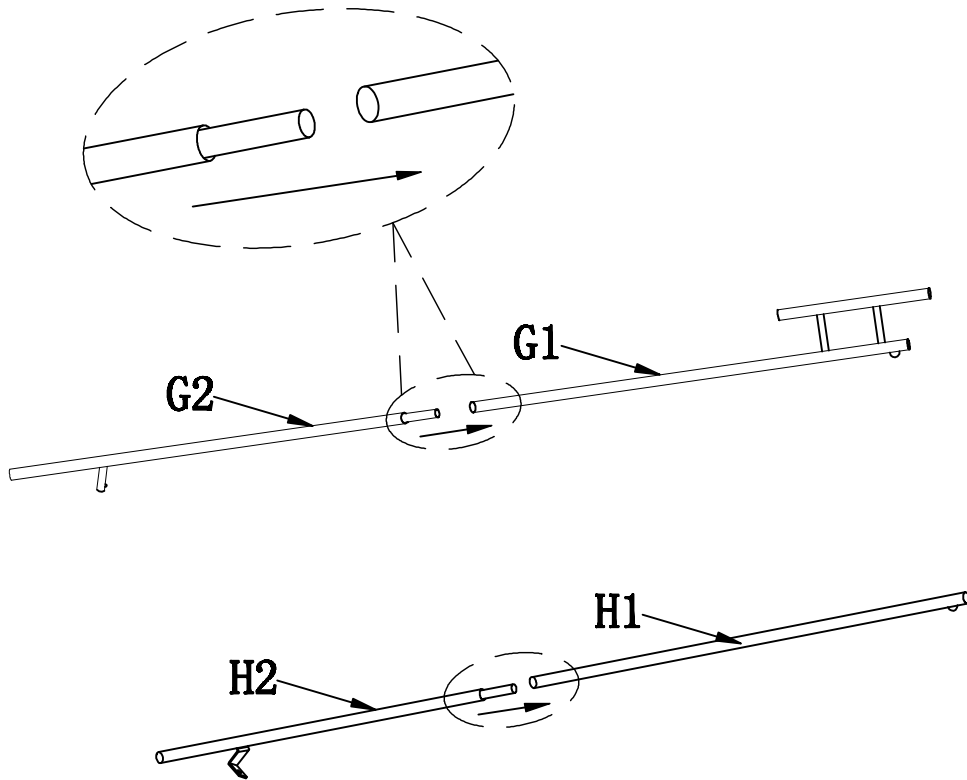


Step 5: Insert **Side Netting Rod (E1)** into **Middle Netting Rod (E2)**;
Attach assembled Netting Rod to **Long Side Beam (D1)** by **Bolt (BB)**.



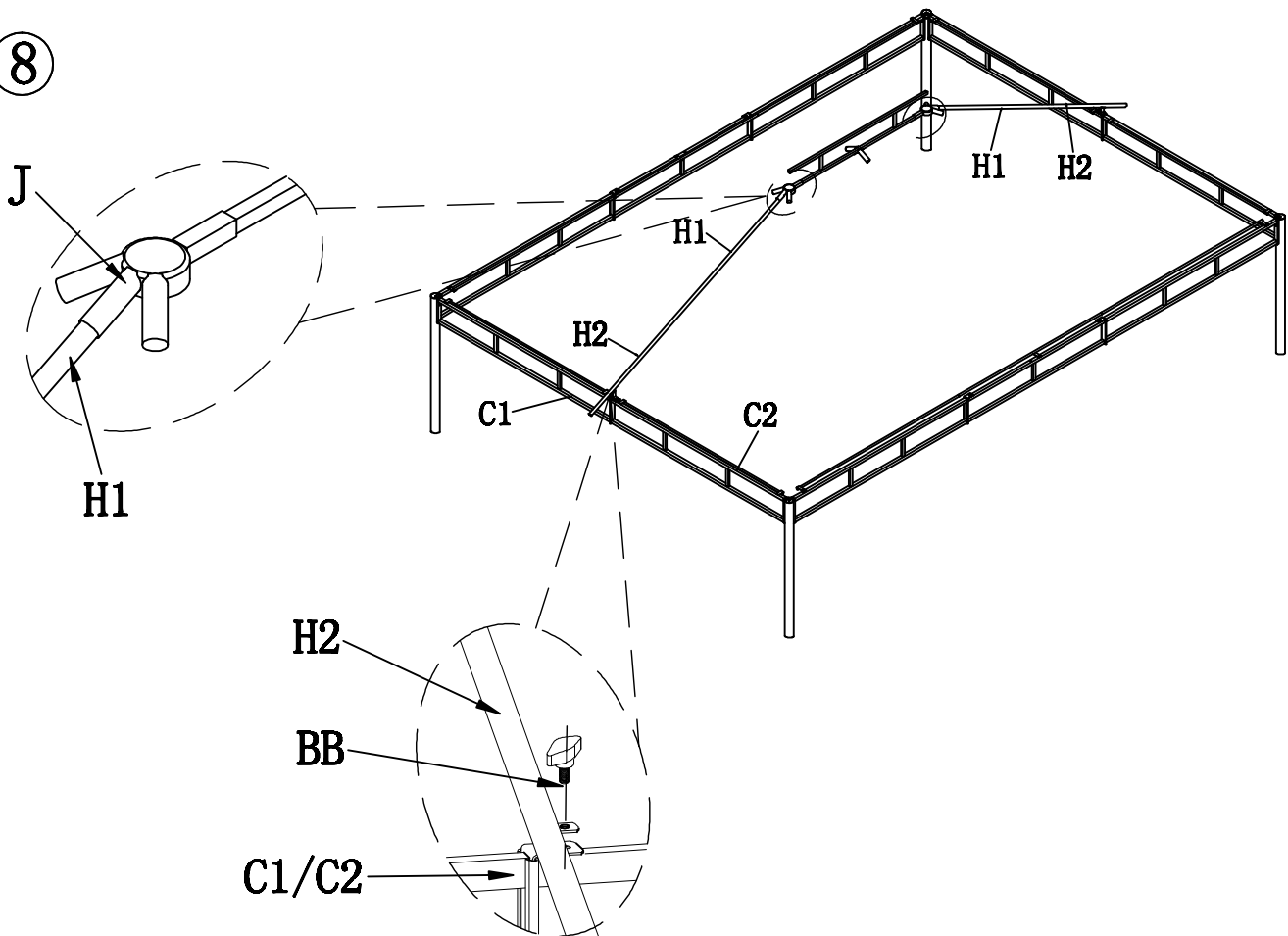
Step 6: Connect **Top Connector (J)** and **Top Connect Bar (T1)**;
Attach **Big Roof Connector (T2)**, locking by **Bolt (AA)**.

7



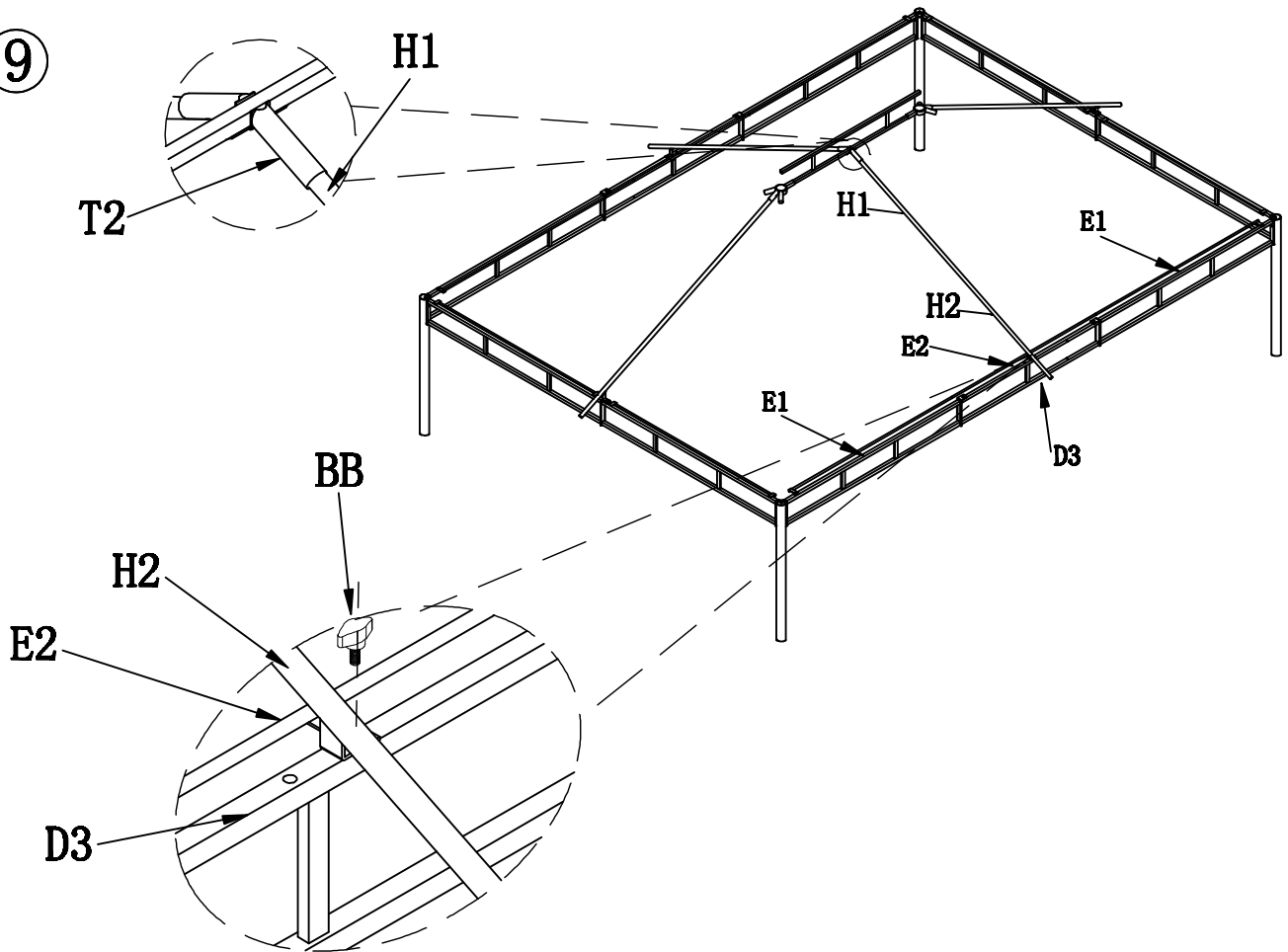
Step 7: Insert **Upper Slant Bar (G1)** into **Lower Slant Bar (G2)**;
Insert **Upper Top Bar (H1)** into **Lower Top Bar (H2)**.

8



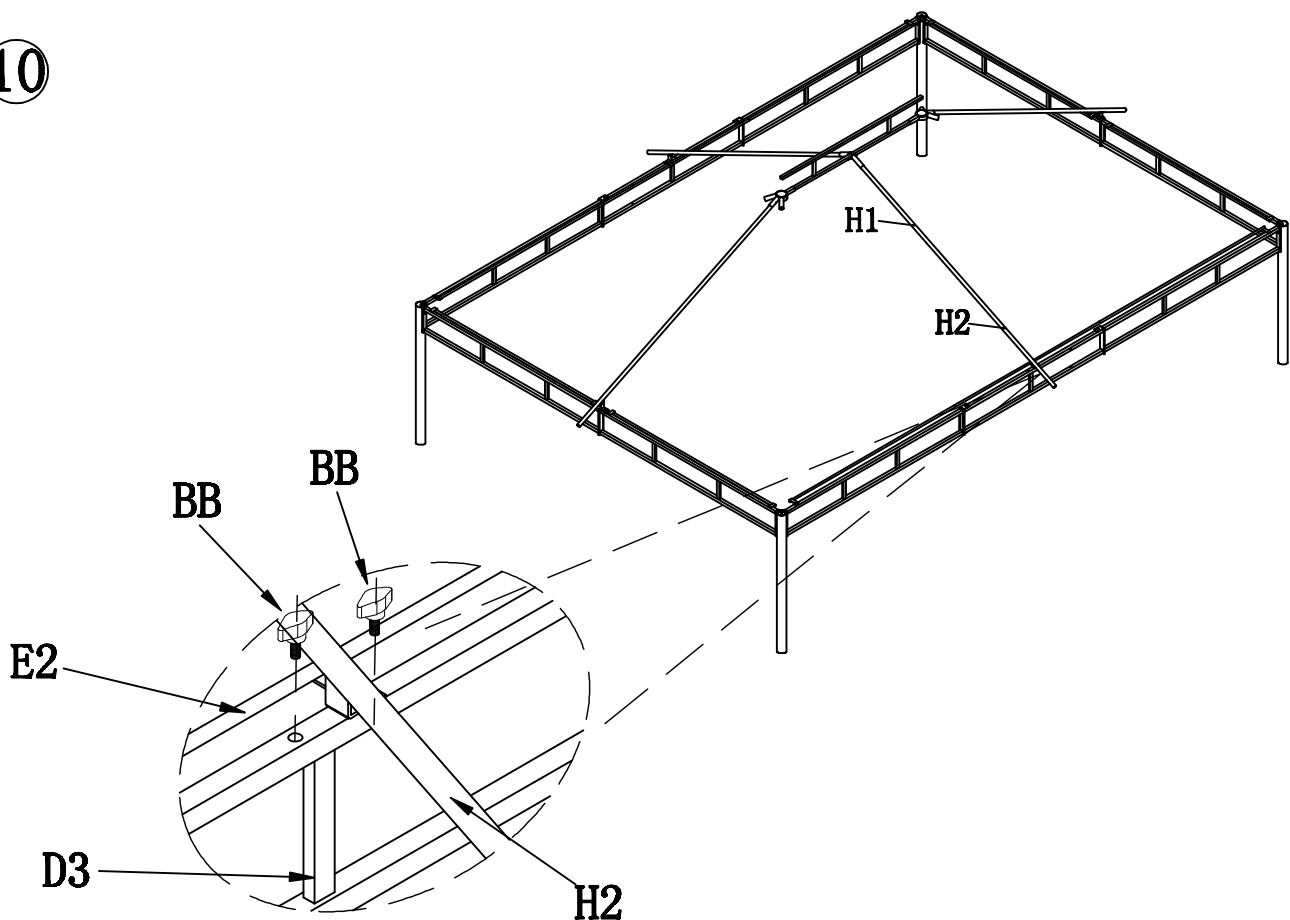
Step 8: Attach **Upper Top Bar (H1)** to **Top Connector (J)**; Attach **Lower Top Bar (H2)** to assembled **Short Side Beam 1/2 (C1/C2)** by **Bolt (BB)**.
(Attention: Assemble this step requires 2 persons, one of person fix top connector position.)

9



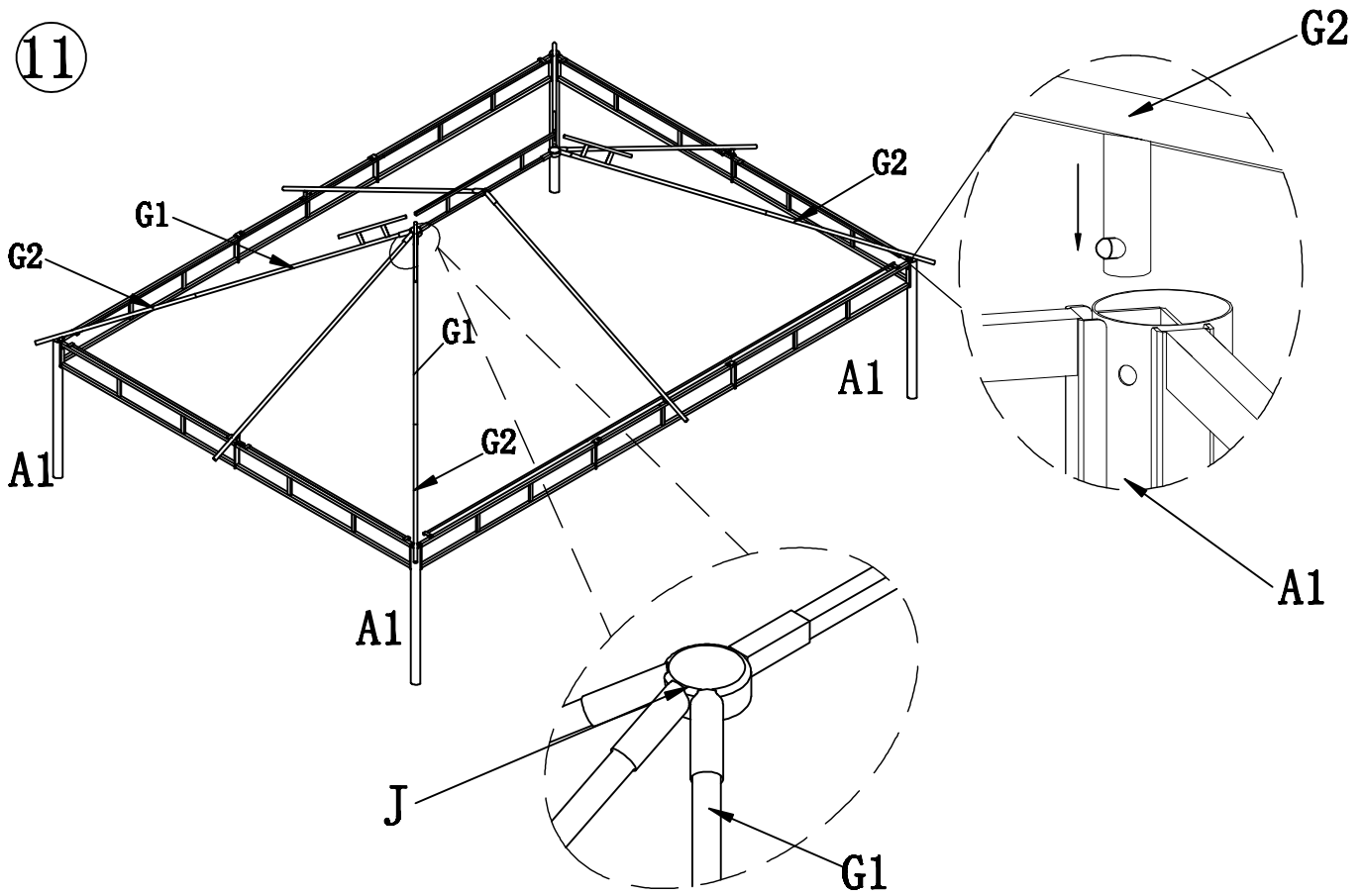
Step 9: Attach Upper Top Bar (H1) to Big Roof Connector (T2); attach Lower Top Bar (H2) to assembled Long Side Middle Beam (D3) and Middle Netting Rod (E2) together by Bolt (BB).

10



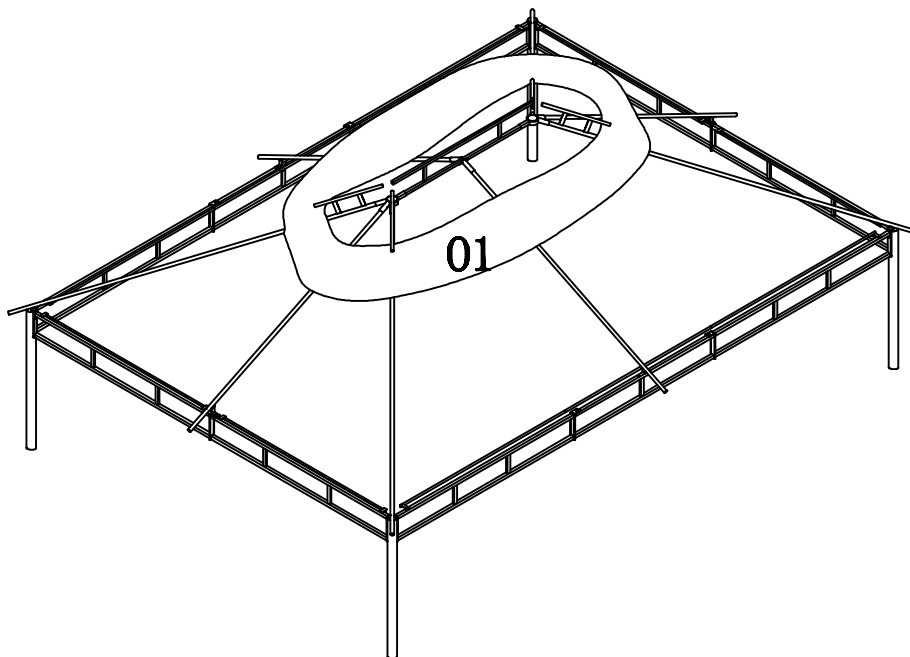
Step 10: If assembled Middle Netting Bar (E2) are in wrong direction, attach Middle Netting Rod (E2) to Long Side Middle Beam (D3) by one Bolt (BB).

11



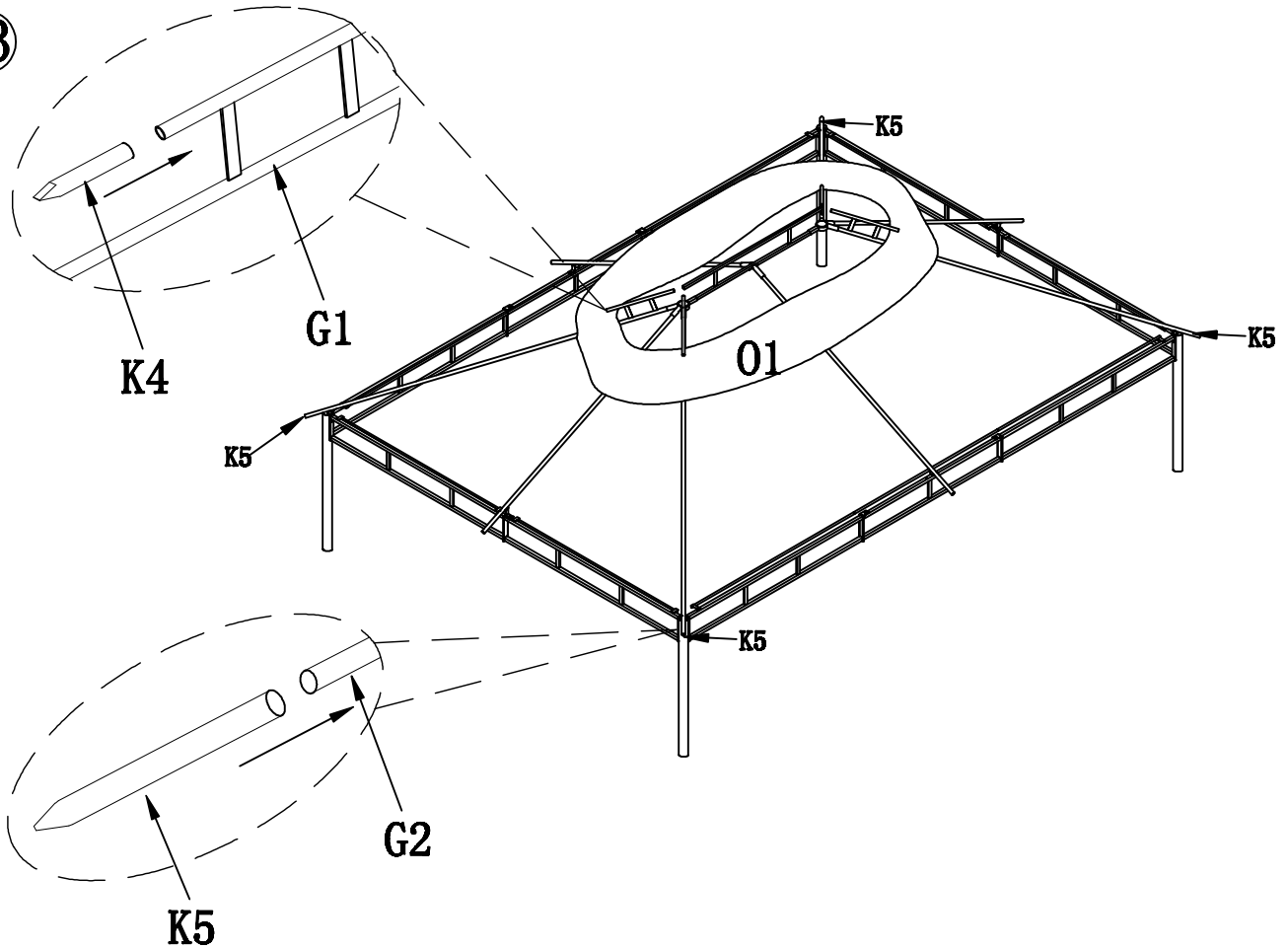
Step 11: Insert Upper Slant Bar (G1) into Top Connector (J); connect Lower Slant Bar (G2) and Top Leg Post (A1).

12



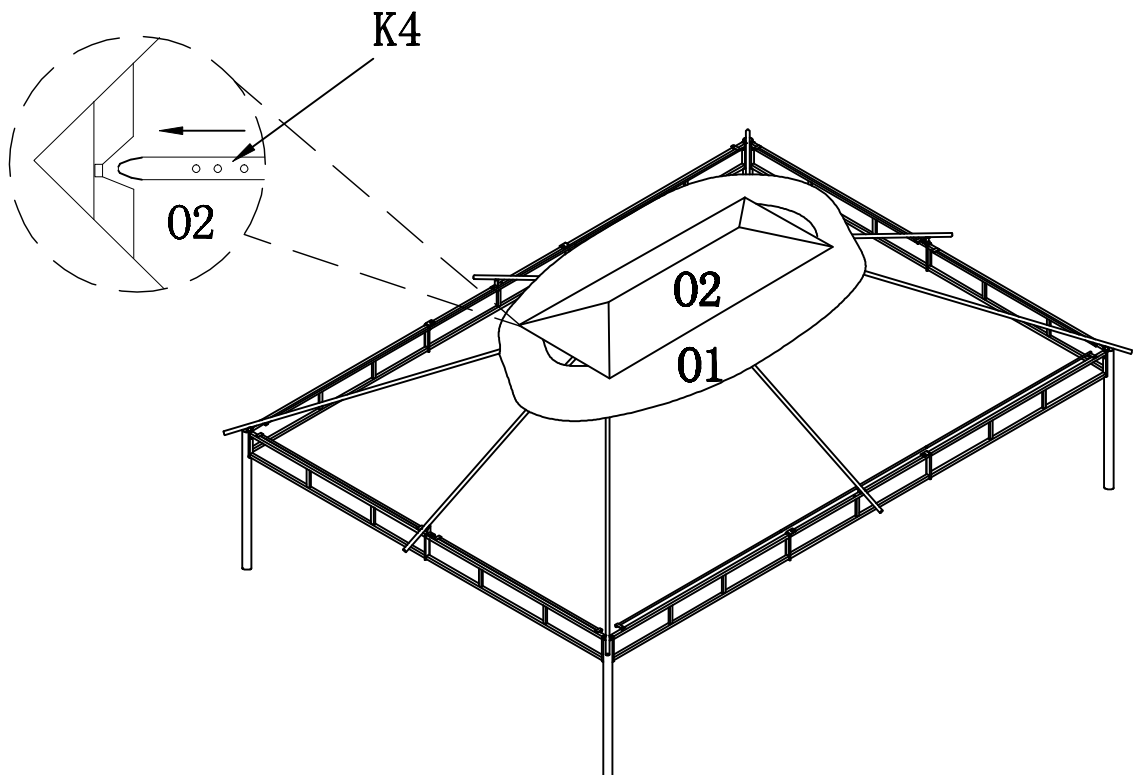
Step 12: Put Big Canopy (O1) on frame.

13



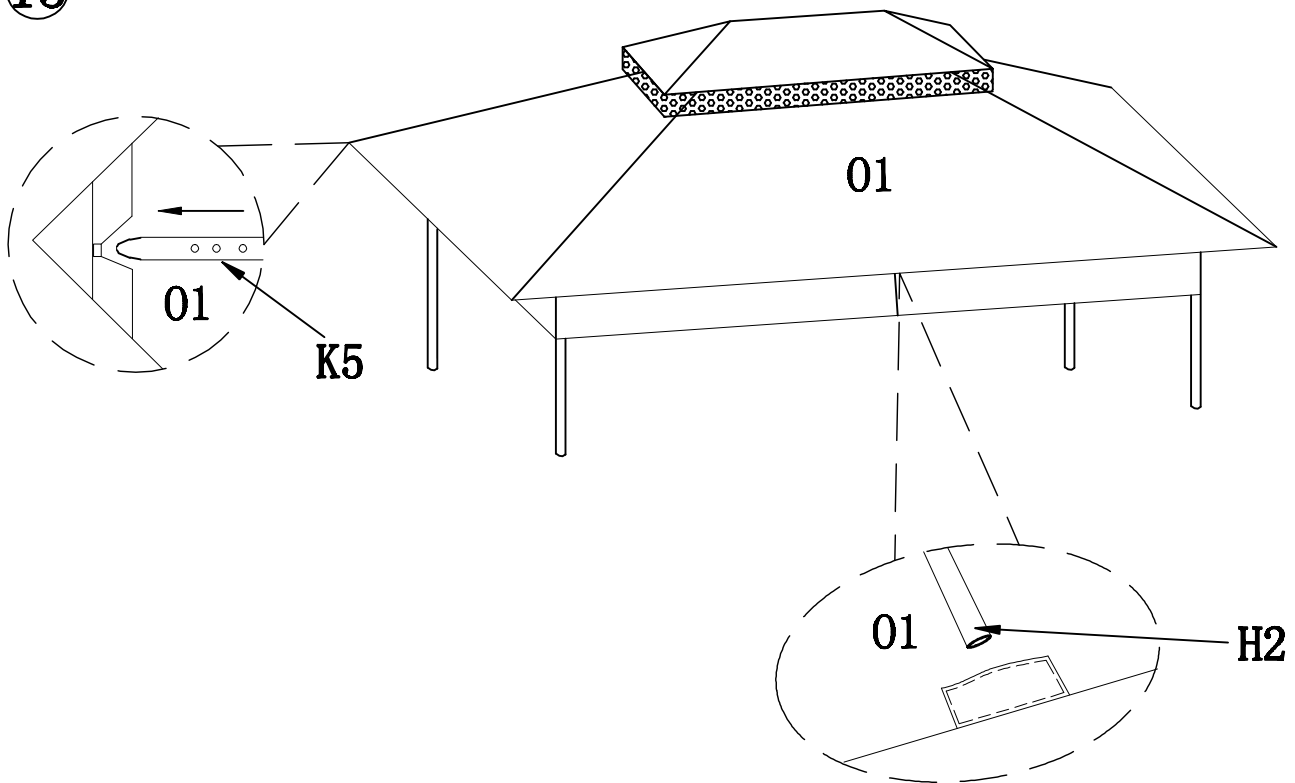
Step 13: Insert Upper Slant Bar (G1) into Short Extension Tube (K4);
Insert Lower Slant Bar (G2) into Long Extension Tube (K5).

14



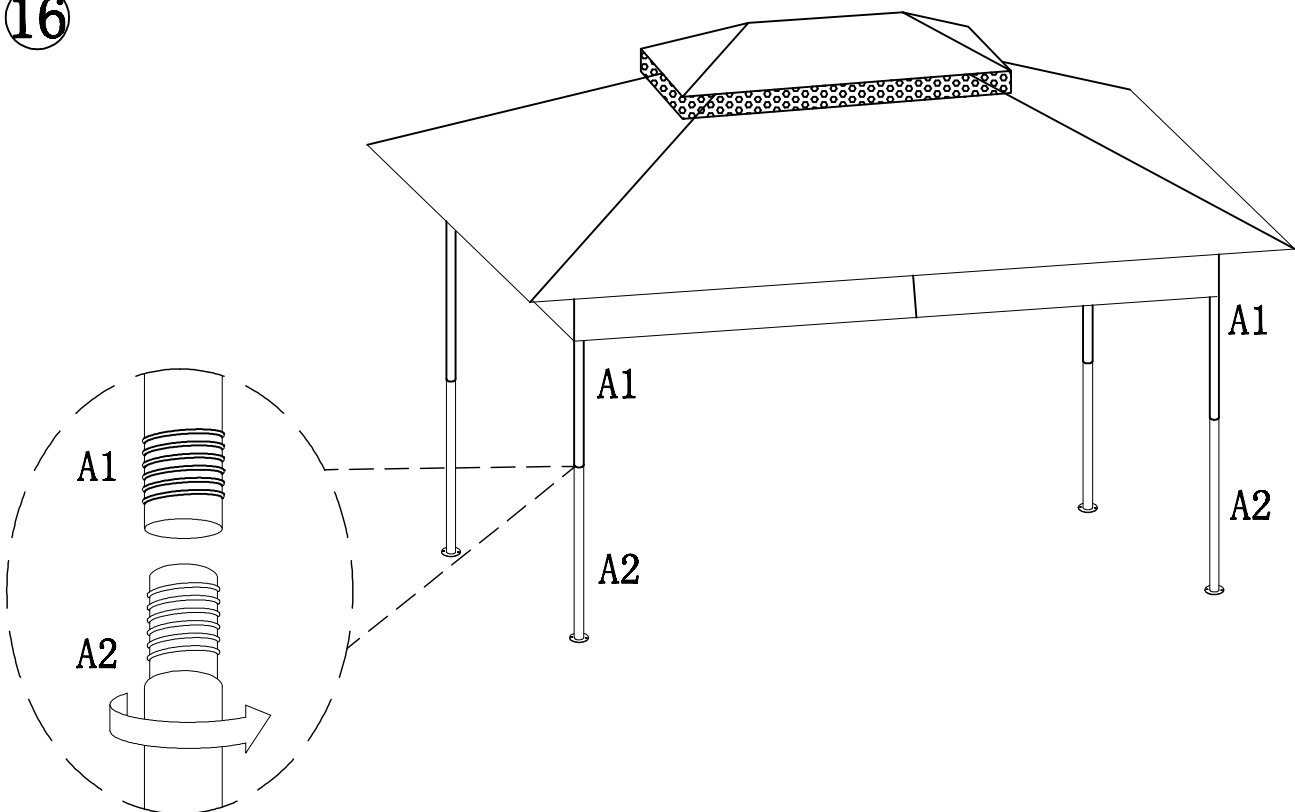
Step 14: Put Small Canopy (O2) on top frame, fix four corners to Short Extension Tube (K4), then adjust tube to suitable length.

15



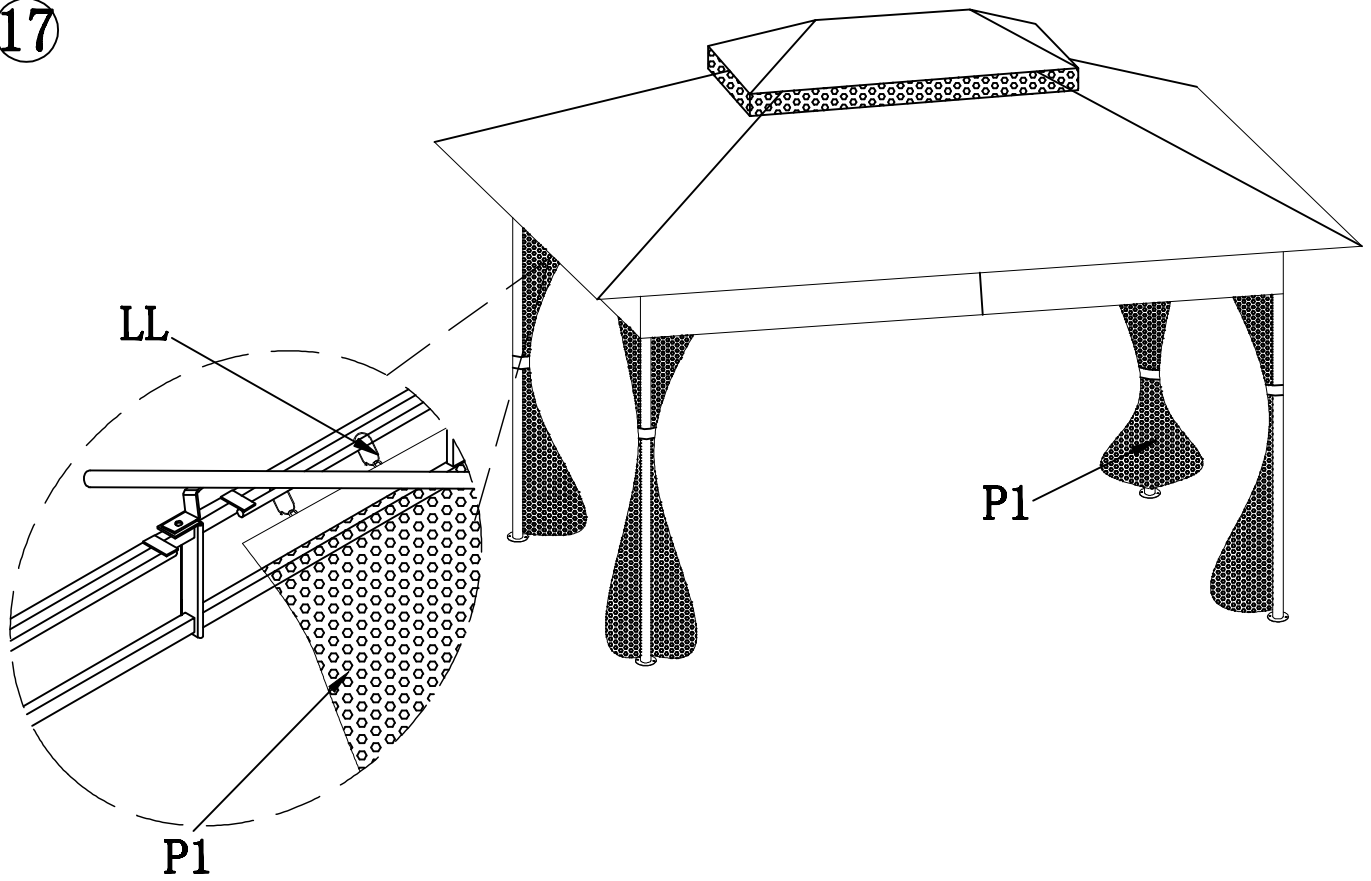
Step 15: Insert **Lower Top Bar (H2)** into edge pocket on **Big Canopy (O1)**;
Insert **Long Extension Tube (K5)** into **Big Canopy (O1)**, fix four corners and
adjust tube to suitable length.

16



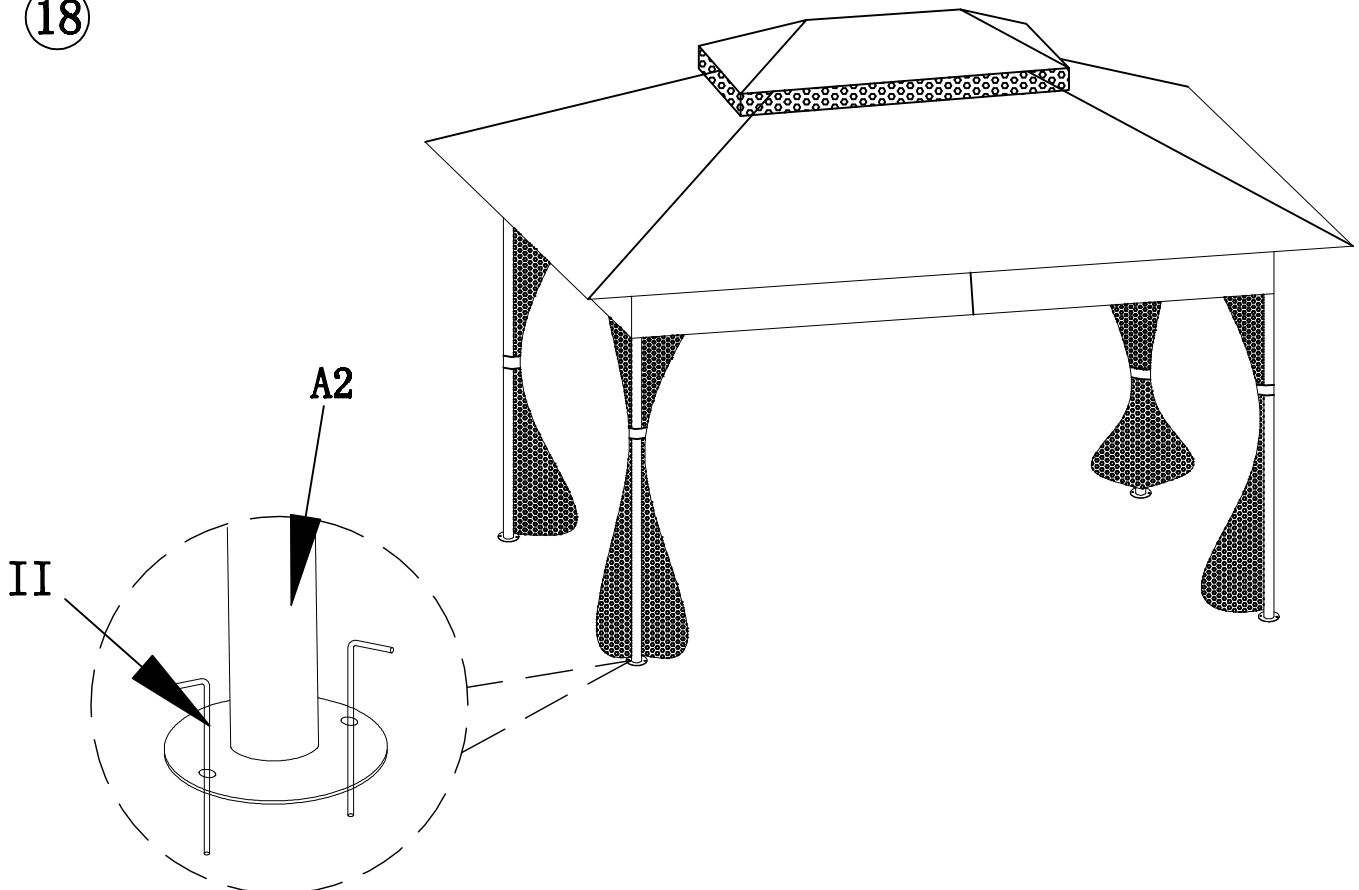
Step 16: Connect **Lower Leg Post (A2)** and **Top Leg Post (A1)**.
(Attention: this step require two persons).

17



Step 17: Hang Netting (P1) on Side and Middle Netting Rod (E1/E2) by Ring (LL).

18



Step 18: Fix assembled gazebo Lower Leg Post (A2) on the ground by Stake (II).